



**COMMERCIAL GRADE STRONGROOM DOOR
AND FRAME
FIRE, FORCE, DRILL AND EXPLOSIVE RESISTANT**

- **DOOR:** Total thickness 100mm. The "Security" door provides a heavy steel front section supported by drill-resistant hardened plate over all vital lock areas, c/w two relocking devices.
- **BOLTWORK:** Heavy 25mm dia. bolts of high grade steel provide two-way locking into the specially strengthened lock chamber sections at front and rear edges of the door.
- **LOCKING:** A high quality one million change combination lock and a six lever pick resistant key lock.
- **FRAME:** Heavy steel frame 125x125x6mm with 125x18mm threshold plate at bottom.
- **HINGES:** Adjustable heavy duty with hardened pins on ball bearing axis (Pre-lubricated)
- **FIRE RESISTANT:** Fire pan fitted to rear of door with approved high fire resistance compound.
- Internal release mechanism standard.
- Door may be ordered with either left or right hand hinging.
- Door can be manufactured to suit any size wall opening.
- Digital combination, duress and time delay locks may be fitted as an optional extra.



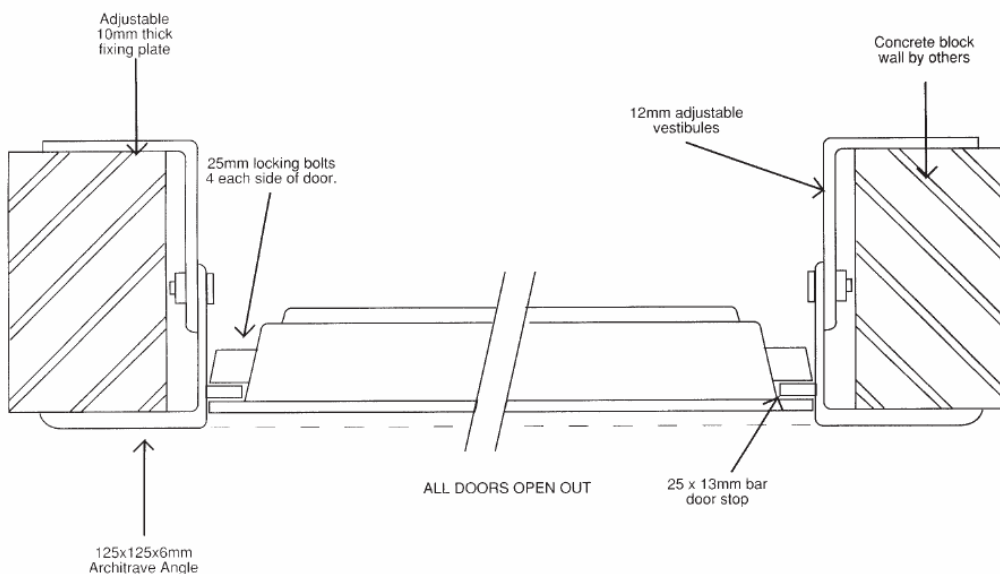
WYNNS LOCKSMITHS

Servicing the Northern Suburbs for over 20 years
with Qualified Tradesman



COMMERCIAL GRADE STRONGROOM DOOR AND FRAME FIRE, FORCE, DRILL AND EXPLOSIVE RESISTANT

MODEL	WEIGHT	DOOR STYLE	CLEAR OPENING	CLEAR MASONRY OPENING REQUIRED
CD2	305kg	1980 x 760	1950 x 710	2030 x 830
CD4	410kg	1980 x 910	1950 x 860	2030 x 980



CMI SAFE CO. RESERVE THE RIGHT TO ALTER SPECIFICATIONS WITHOUT NOTICE OR OBLIGATION